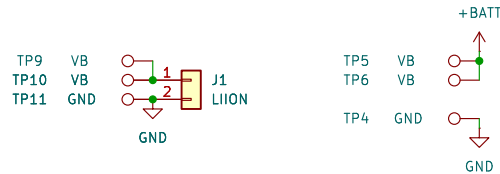


# Sunglasses V2

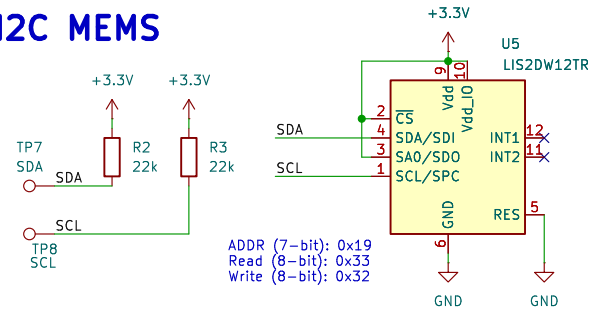
<https://github.com/Blakesands/CH32V003/tree/main>

Project optimised for JLCPCB PCB assembly service. Components are selected from LCSC.

## POWER SUPPLY CONNECTIONS

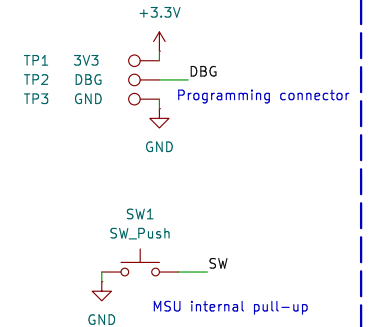


## I2C MEMS

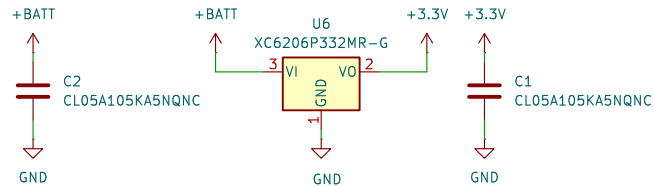


<https://jlcpcb.com/partdetail/Stmicroelectronics-LIS2DW12TR/C189624>

## MISC

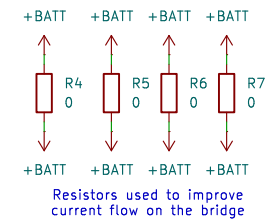
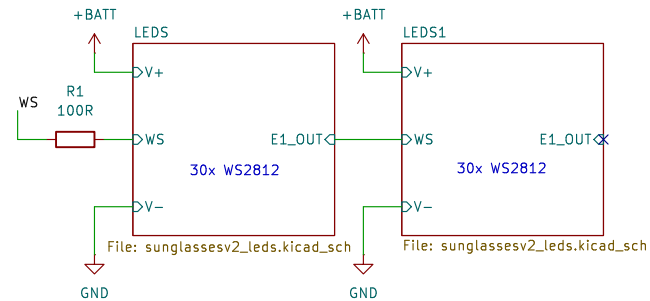


## LDO



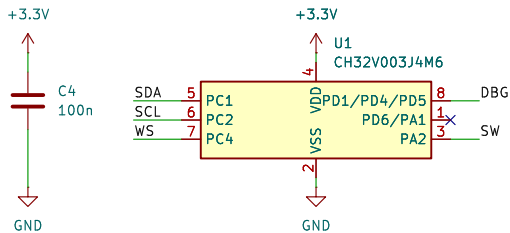
[https://www.lcsc.com/product-detail/Linear-Voltage-Regulators-LDO\\_Torex-XC6206P332MR-G\\_C2891264.html](https://www.lcsc.com/product-detail/Linear-Voltage-Regulators-LDO_Torex-XC6206P332MR-G_C2891264.html)

## LED CHAIN



## MCU

CH32V003J4M6  
[https://jlcpcb.com/partdetail/wch\\_jiangsu\\_Qin\\_heng-CH32V003J4M6/C5346354](https://jlcpcb.com/partdetail/wch_jiangsu_Qin_heng-CH32V003J4M6/C5346354)



Aleksander Kawęczyński  
E.VT0.PL

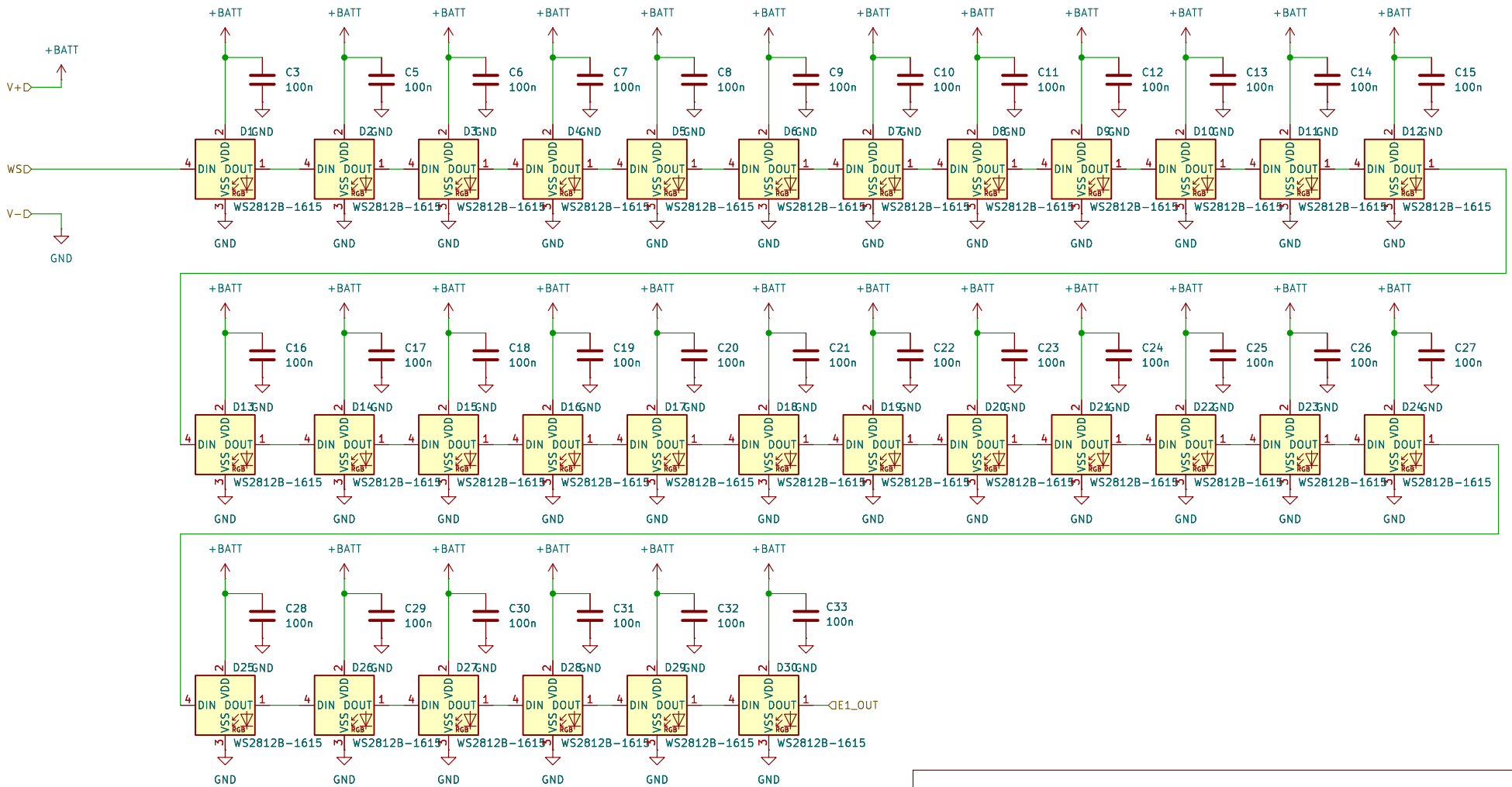
Sheet: /  
File: sunglassesv2.kicad\_sch

**Title: Sunglasses V2**

Size: A4 Date: 2024-05-21  
KiCad E.D.A. 8.0.2

Rev: 01  
Id: 1/3

[https://www.lcsc.com/product-detail/span-style-background-color-ff0-RGB-span-LEDs-Built-in-IC\\_XINGLIGHT-XL-1615RGB-C5349954.html](https://www.lcsc.com/product-detail/span-style-background-color-ff0-RGB-span-LEDs-Built-in-IC_XINGLIGHT-XL-1615RGB-C5349954.html)



Aleksander Kawęczyński  
E.VT0.PL

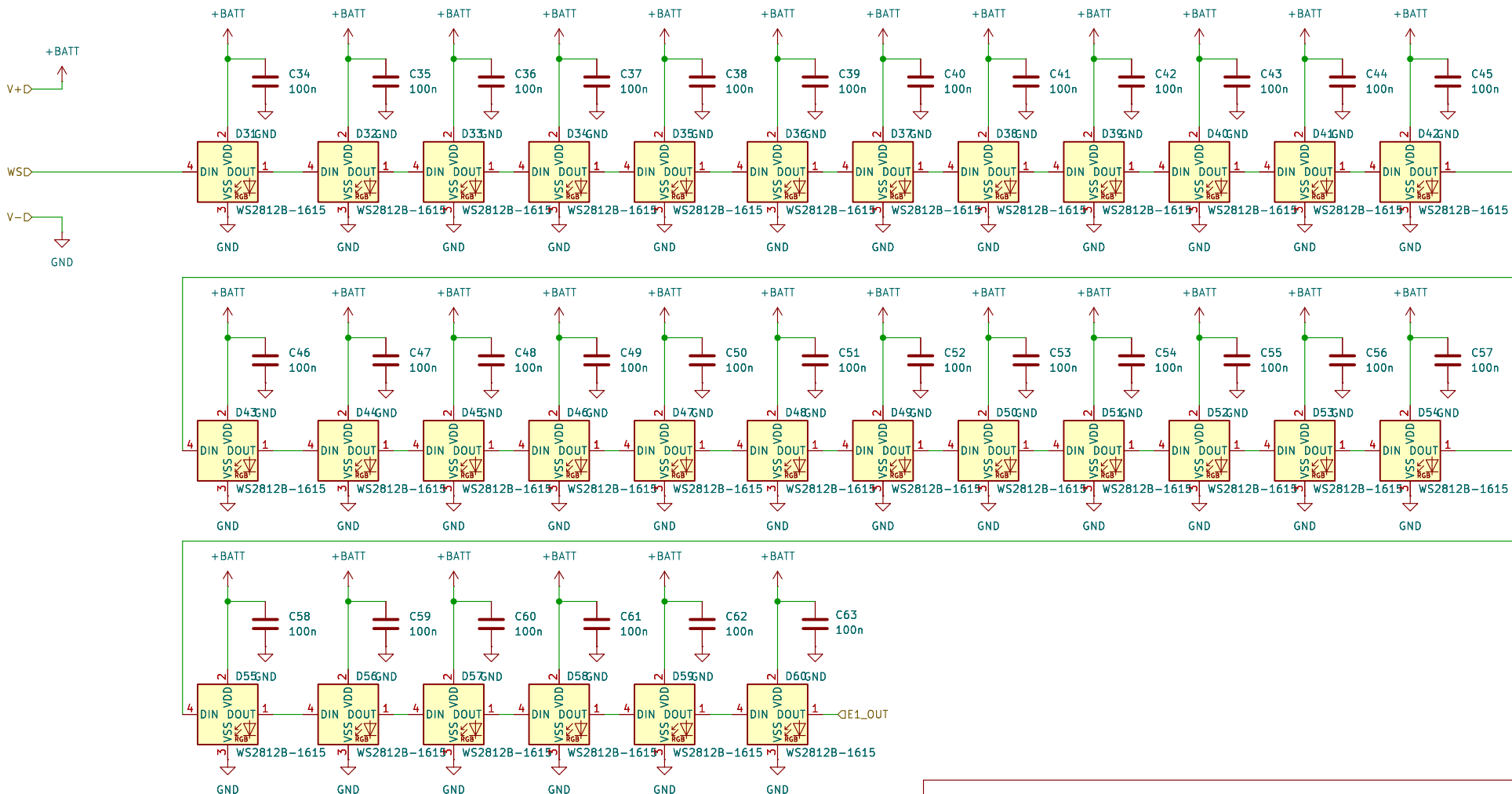
Sheet: /LEDS/  
File: sunglassesv2\_leds.kicad\_sch

**Title: Sunglasses V2**

Size: A4 Date: 2024-05-21  
KiCad E.D.A. 8.0.2

Rev: 01  
Id: 2/3

[https://www.lcsc.com/product-detail/span-style-background-color-ff0-RGB-span-LEDs-Built-in-IC\\_XINGLIGHT-XL-1615RGB-C5349954.html](https://www.lcsc.com/product-detail/span-style-background-color-ff0-RGB-span-LEDs-Built-in-IC_XINGLIGHT-XL-1615RGB-C5349954.html)



Aleksander Kawęczyński  
E.VT0.PL

Sheet: /LEDS1/  
File: sunglassesv2\_leds.kicad\_sch

**Title: Sunglasses V2**

Size: A4 Date: 2024-05-21  
KiCad E.D.A. 8.0.2

Rev: 01  
Id: 3/3