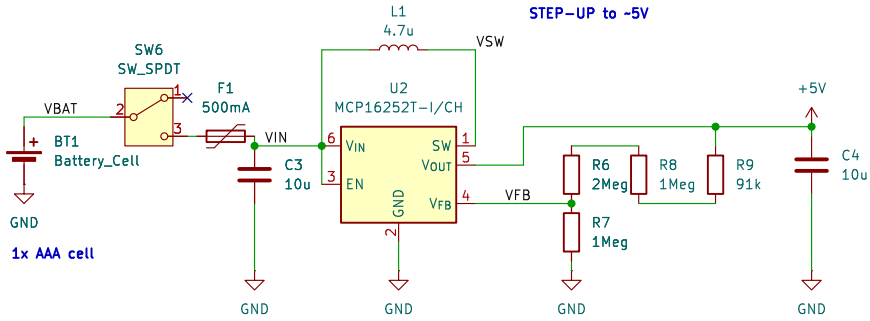
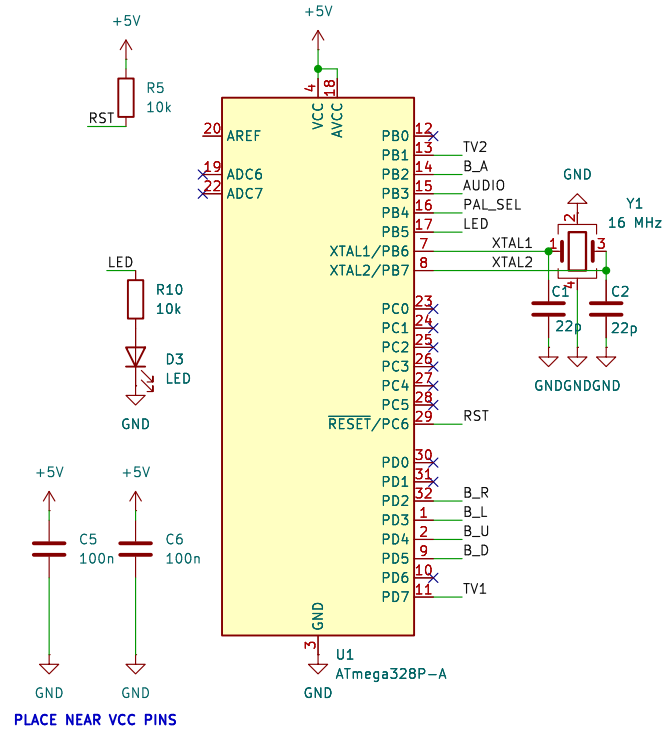


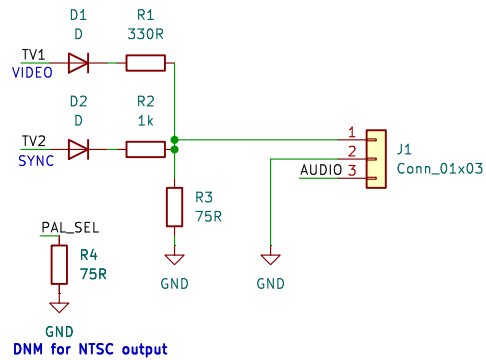
## POWER



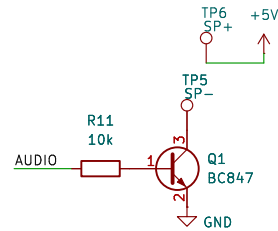
## MCU



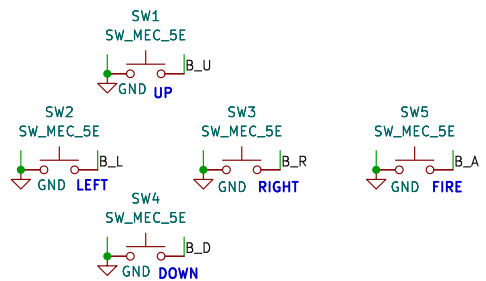
## COMPOSITE TV OUT



## SPEAKER OUT

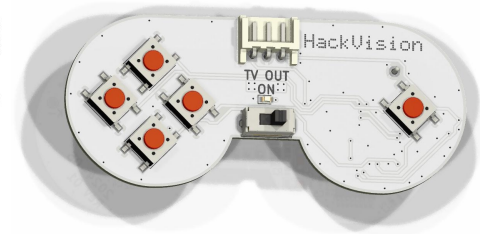
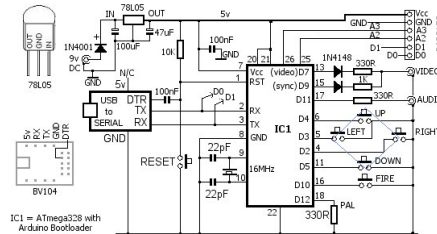
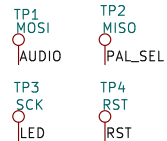


## KEYPAD



## TEST POINTS

USED FOR PROGRAMMING



Aleksander Kawczyński  
E.VT0.PL

Sheet: /  
File: hackvision\_smd.kicad\_sch

**Title: Hackvision SMD**

Size: A4 Date: 2024-05-28

KiCad E.D.A. 8.0.2

Rev: 01

Id: 1/1