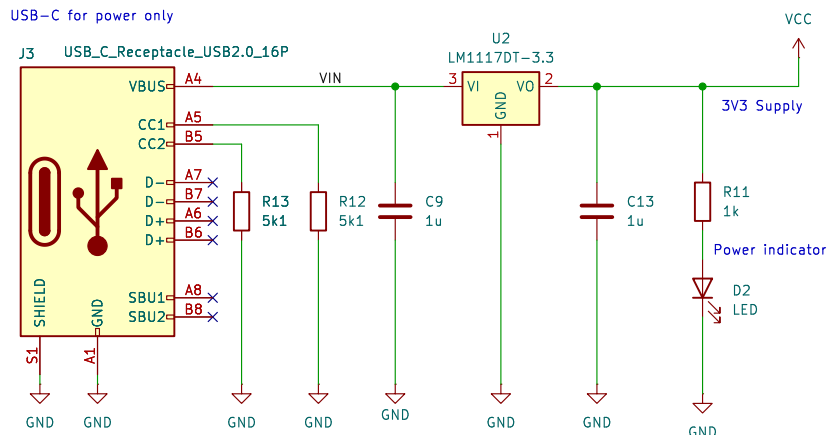
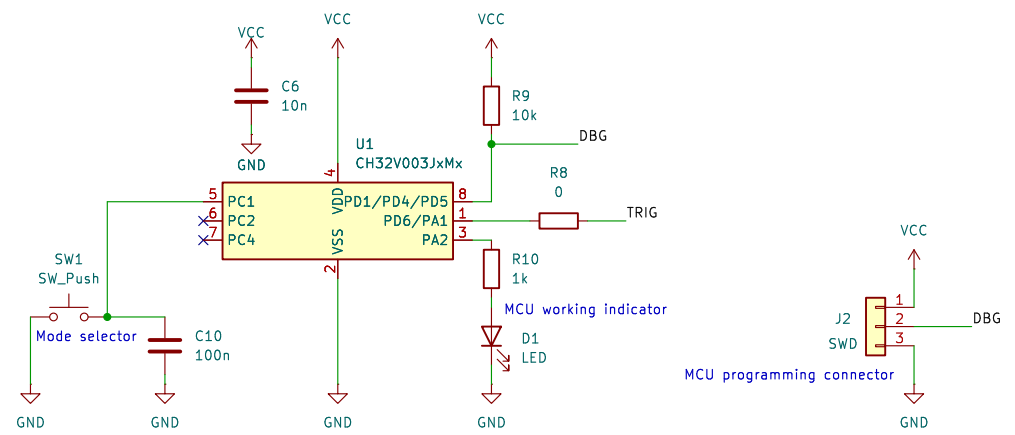


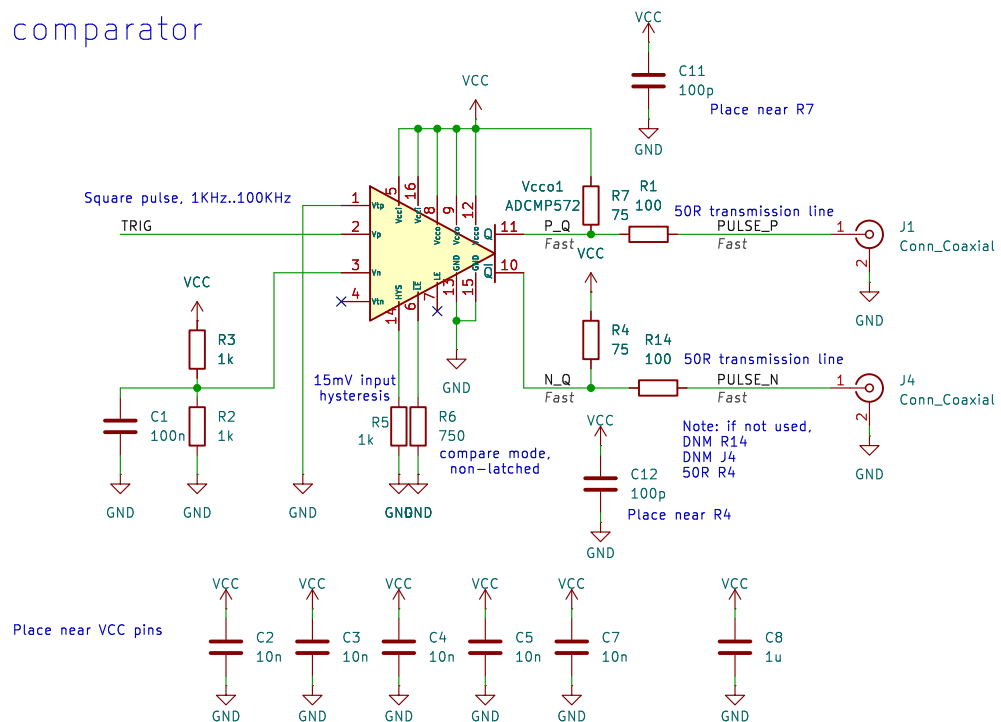
Power



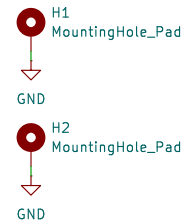
MCU



Fast comparator



Mechanical



ADCMP_PULSE

E.VT0.PL

Sheet: /

File: adcmp_pulse.kicad_sch

Title: ADCMP Pulse - main sheet

Size: A4 Date: 2024-05-21

KiCad E.D.A. 8.0.2

Rev: 01

Id: 1/1